

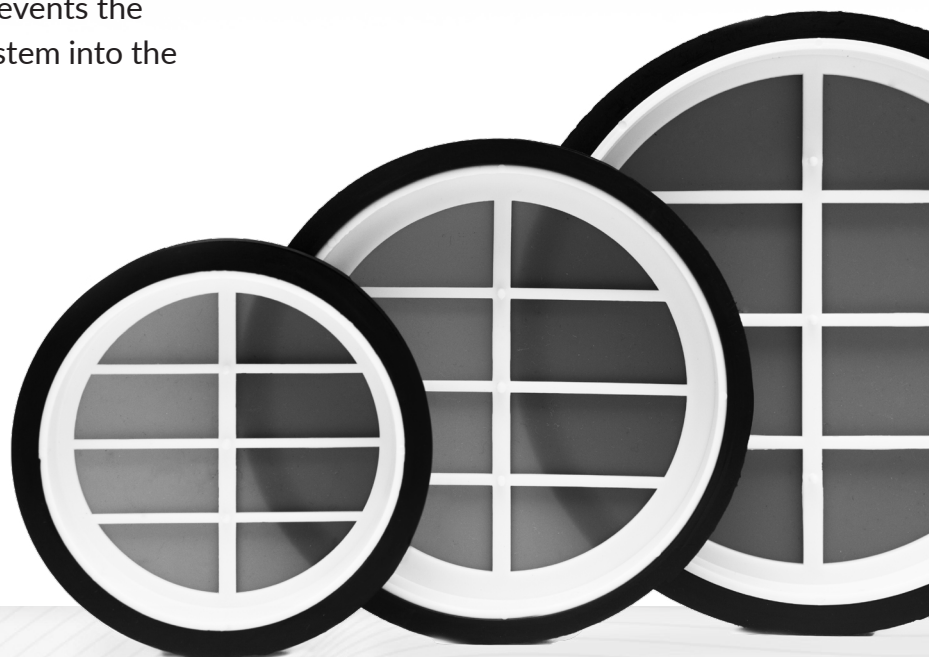


CATALOG CARD MS

MS

Backdraught damper

Backdraught damper is meant to be installed inside round air ducts. The damper is designed for a one-way air flow direction. It prevents the flow of the air from the ventilation system into the room with a kitchen hood.



MS

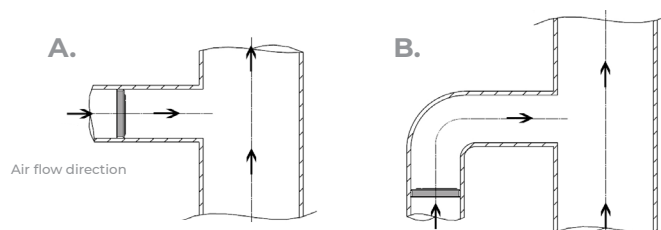
Construction

The casing is made of plastic, it supports the flexible membrane made from silicone. The peripheral gasket is made of EPDM rubber and ensures easy installation and tight sealing in the ventilation duct.



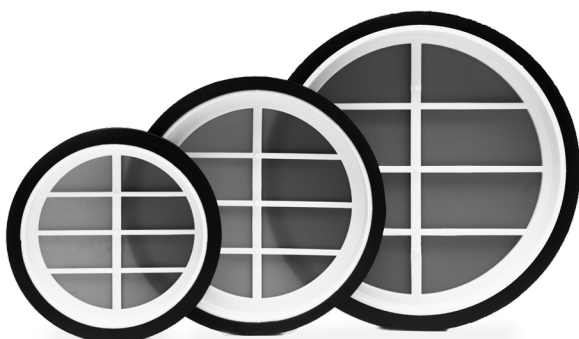
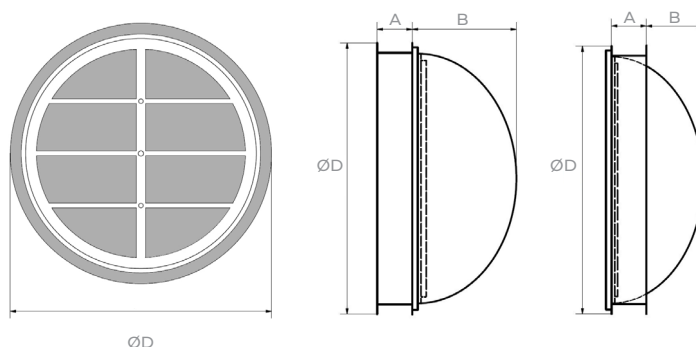
Installation

Quick and easy „push-in” installation - the damper is put inside the air duct after the installation process. It is mounted inside the stub pipe that moves the air from the kitchen hood to the aggregate duct. Horizontal(A) and vertical(B) positioning possible. When installing with a fire damper the internal positioning of the membrane is essential. Pay attention to correct air flow direction.



Dimensions

Type	ØD	internal membrane		external membrane	
		A	B	A	B
MS.100	100	18	16	21	35
MS.125	125	18	26	21	45
MS.160	160	21	36	26	55



Pressure loss diagram

